

ROZI

Air Purifier

CF-8209

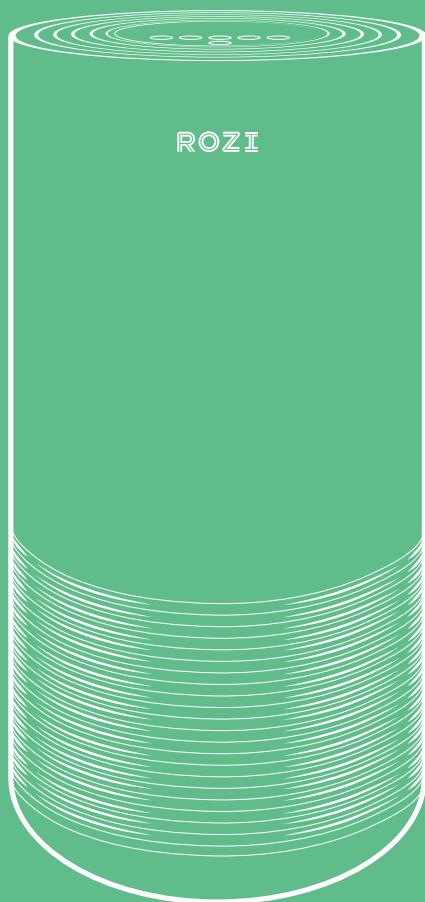


TABLE OF CONTENTS

02 Warning

03 Air Cleaning System

03 Operating Instructions

04 Operating The Air Purifier

05 Installing & Removing Filters

06 Cleaning & Maintaining

WARNING

Failure to comply with the warnings listed below may result in electric shock or serious injury.



This product should be used only in accordance with the specifications outlined in this manual. Usage other than what has been specified here may result in serious injury.

When using electrical appliances, basic precautions should always be followed to reduce the risk of fire, electric shock and injury to persons, including the following:

- Read all instructions before using appliance.
- **IMPORTANT** - This appliance has a polarized plug (one blade is wider than the other). To reduce the risk of electric shock, this plug is intended to fit in a polarized outlet only one way. If the plug does not fit fully in the outlet, reverse the plug. If it still does not fit, contact a qualified electrician. Do not attempt to override this safety feature.
- To avoid fire or shock hazard, plug the appliance directly into the correct AC electrical outlet.
- Keep the cord out of heavy traffic areas. To avoid fire hazard, NEVER put the cord under rugs, near heat registers, radiators, stoves or heaters.
- To protect against electrical hazards, DO NOT immerse in water or other liquids. Do not use near water.
- Children cannot recognize the hazards associated with the usage of electrical appliances. For this reason, always supervise children when they are near the unit.
- Always unplug the air purifier before moving it, opening the grill, changing filters, cleaning or whenever the air purifier is not in use. Be sure to pull by the plug and not the cord.
- NEVER drop or insert any object into any openings.
- DO NOT run cord under carpeting.
- DO NOT cover cord with throw rugs, runners, or similar coverings.
- DO NOT route cord under furniture or appliances. Arrange cord away from traffic area and where it will not be tripped over.

- DO NOT operate any appliance with a damaged cord or plug, if motor fan fails to rotate, after the appliance malfunctions, or if it has been dropped or damaged in any manner. Send to Customer Service for assistance.
- Use appliance only for intended household use as described in this manual. Any other use not recommended by the manufacturer may cause fire, electric shock or injury to persons.
- DO NOT use outdoors.
- DO NOT place anything on top of unit.
- NEVER block the air openings, grills/outlets or place on a soft surface such as a bed or sofa, as this could cause the unit to tip over, blocking the air intake or outtake opening.
- DO NOT attempt to repair or adjust any electrical or mechanical functions on this unit. Doing so will void your warranty. The inside of the unit contains no user serviceable parts. All servicing should be performed by qualified personnel only.
- WARNING: To reduce the risk of fire or electric shock, do not use this device with any solid-state speed control device.

AIR CLEANING SYSTEM

PRE-FILTER	Captures initial dust and allergen particles.
HEPA FILTER	Captures dust, smoke, pollen and other allergens.
CARBON FILTER	Eliminates odors and bad smells.

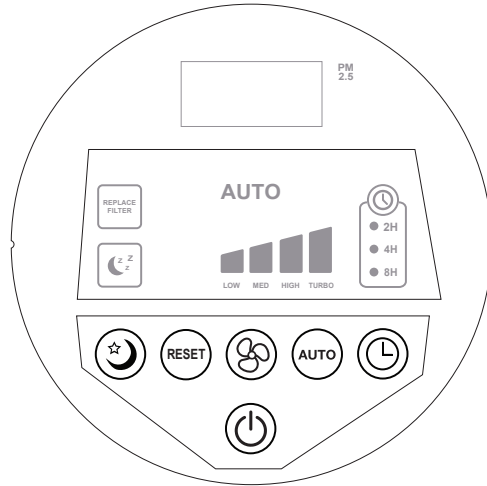
OPERATING INSTRUCTIONS

BEFORE OPERATING THE AIR PURIFIER:

- 1 Carefully remove your air purifier from box and plastic bag.
- 2 Select a firm, level and flat location for the air purifier.
 - *For proper air flow, locate the unit at least 1 foot from any wall or furniture.
 - *Make sure none of the grills are blocked.
- 3 Plug the power cord into the correct voltage AC outlet.

IMPORTANT: When moving the air purifier, always lift unit firmly by your hands.

OPERATING THE AIR PURIFIER



1. **"POWER"**: Press to turn the unit on/off.



2. **"SLEEP Mode"**: Press this button to turn on the SLEEP mode.
Note: During Sleep mode, the unit will run in low speed.



3. **"FILTER RESET"**: Press and hold this button for 5 seconds to reset Filter Replace Indicator.



4. **"SPEED"**: The fan speed of the unit can be adjusted when the unit is in operation (L, M, H, Turbo). Each time that you press the (SPEED) button, the speed is adjusted from L (low) to M (medium) to H (high) and Turbo.
Note: In Turbo speed, all the three LEDs will be light on.



5. **"AUTO"**: Press button to turn on AUTO mode, the fan speed will change according to the air quality level.(1-Blue, 2-Yellow, 3-Orange, 4-Red)



6. **"TIMER"**: Press this button to set the working time as you want for 2H, 4H and 8H.

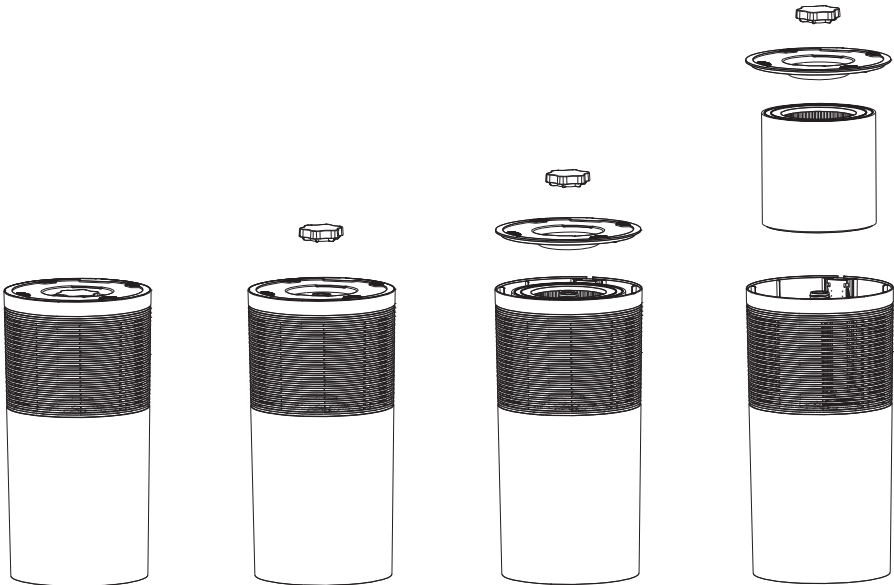
IMPORTANT: When the unit is not in use, please switch it off and unplug it.

INSTALLING & REMOVING FILTERS

FILTER REPLACE INDICATOR

The **REPLACE FILTER** light indicates that it is time to replace the filter. Replace the filter according to the directions below then press the **RESET** button holding for 5 seconds to restart the program system. The light will stop flickering.

* Combination Filter will last approximately 6 months.



- 1 Turn the machine upside down.
- 2 Remove the screw cap below the base then remove the base.
- 3 Remove dirty filter and insert new filter into the unit.
- 4 Reattach the base to the unit and fasten it with the screw cap.
- 5 Press and hold Reset button for 5 seconds to reset program.

CLEANING & MAINTAINING

The machine should be cleaned at least once every month by a clean, dry, soft cloth. More frequent cleaning may be required depending on environmental conditions.

NOTE:

Do NOT stick any foreign objects or your fingers inside of the unit.

Do NOT use gasoline, benzine, thinner, harsh cleaners, etc. on and/or in the unit while cleaning as they will damage the product.

NEVER use alcohol or other solvents.

FILTERS:

HEPA should be cleaned once each month by vacuum cleaner.

Note: Filters should be replaced at least once every 6 months. More frequent cleaning and replacing may be required depending on environmental conditions.

WARRANTY: 1 year as from the date of purchase

FOR ANY WARRANTY CLAIMS, PLEASE RETURN YOUR UNIT OR SEND IT WITH FREIGHT PREPAID TO YOUR DEALER, TOGETHER WITH YOUR PROOF OF PURCHASE.

Label for recording the filter replacement date

ENTER THE INSTALLATION DATE OF THE NEW FILTER

Day

Month

Year

Place this label inside the unit.

Rozi Customer Service
1 (888) 250-3890
support@shoprozi.co

 @RoziOfficial

 @rozi_official_